



MAINTENANCE TOOLS

INDUCTION HEATERS & HYDRAULIC PULLERS



CELEBRATE THE POLE POSITION



**NEW
ON THE
MARKET**

Low-Frequency Induction Heaters

The PRO series – heaters ready for industry 4.0

Professional heating eliminates unnecessary material stress and uses even heating of both bearings outer and inner rings. NACHI PRO series offers the Delta-T control system with two temperature probes for double temperature measurements. The heater measures the temperature of the inner and outer bearing ring and adjusts automatically the heating process according to the selected variable settings. The maximum permitted temperature difference between two bearing rings is controlled and never exceeded user set value. The heaters automatically log heating data and used settings. Data can be downloaded via USB port to create a proof of work report. Heaters automatically demagnetize bearings after the heating process is stopped.

The EASY series

The easy series equipped with control keyboard and magnetic temperature probe offers all the advantages of modern heaters such as time or temperature control, demagnetizing, retaining original lubrication.



Portable handy heater



The PRO series – heaters ready for industry 4.0



EASY series

Heater swivel arm

Why induction heating?

Induction heating is a superior, fast and controlled heating method. It is a safe and environmentally friendly alternative for traditional heating methods such as ovens, oil baths or blow torches. These methods cause smoke, fumes or oil waste and are hazardous for personal health and safety. Controlled induction heating prevents unnecessary damage to your rolling bearings.

Main Advantages

- ▶ Easy to use touch screen – PRO
- ▶ Delta-T control system with two temperature probes - PRO
- ▶ USB port to store or export heating data - PRO
- ▶ Graphical presentation of heating process - PRO
- ▶ Control over heating process in time or temperature mode
- ▶ Automatic demagnetization
- ▶ Temperature setting up to 240 °C / 464 °F
- ▶ Temperature hold mode available
- ▶ Temperature probe with magnet fixing
- ▶ Yokes included
- ▶ Models NH102 and NH103 equipped with swivel arm
- ▶ Model NH100–Handy portable version

Hydraulic Self-Centering Pullers

Compact pullers for efficient and safe dismantling of bearings and other parts



Main Advantages

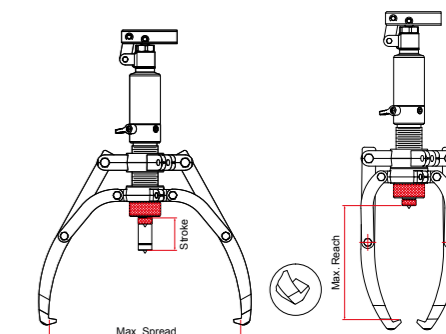
- ▶ Integrated hydraulic pump and cylinder
- ▶ Compact design
- ▶ Easily operated by one person
- ▶ Self-centering, easy to convert 2 arm or 3 arm puller
- ▶ Pump handle rotates 360-degrees to use in every position
- ▶ In handy carrying case

Compatible with a wide range of materials

PRO SERIES – INDUCTION HEATER WITH TOUCH SCREEN AND DOUBLE TEMP											
	Voltage/Current	Output	Frequency	Mass kg	Max. Temperature	Max. bearing weight kg	Max. outside ø mm A	Space between poles mm B	Pole high mm C	Pole width mm D	Dimensions mm (L x w x h)
NH-101-PRO	120V - 230V 13A - 13A	1.5kVA - 3.0kVA	50 - 60Hz	24	240°C/464°F	50	280	120	130	40x50	600x226x272
NH-102-PRO	120V - 230V 15A - 16A	1.8kVA - 3.7kVA	50 - 60Hz	35	240°C/464°F	100	410	180	185	50x50	702x256x392
NH-103-PRO	230V 16A	3.7kVA	50 - 60Hz	66	240°C/464°F	150	490	210	205	70x70	788x315x456

EASY SERIES – INDUCTION HEATER WITH KEYBOARD AND SINGLE TEMP											
	Voltage/Current	Output	Frequency	Mass kg	Max. Temperature	Max. bearing weight kg	Max. outside ø mm A	Space between poles mm B	Pole high mm C	Pole width mm D	Dimensions mm (L x w x h)
NH-100-HANDY	120V - 230V 13A - 13A	1.5kVA - 3.0kVA	50 - 60Hz	21	240°C/464°F	20	240	120	135	40	460x240x280
NH-101-EASY	120V - 230V 13A - 13A	1.5kVA - 3.0kVA	50 - 60Hz	24	240°C/464°F	50	280	120	130	40x50	600x226x272
NH-102-EASY	120V - 230V 15A - 16A	1.8kVA - 3.7kVA	50 - 60Hz	35	240°C/464°F	100	410	180	185	50x50	702x256x392
NH-103-EASY	230V 16A	3.7kVA	50 - 60Hz	66	240°C/464°F	150	490	210	205	70x70	788x315x456

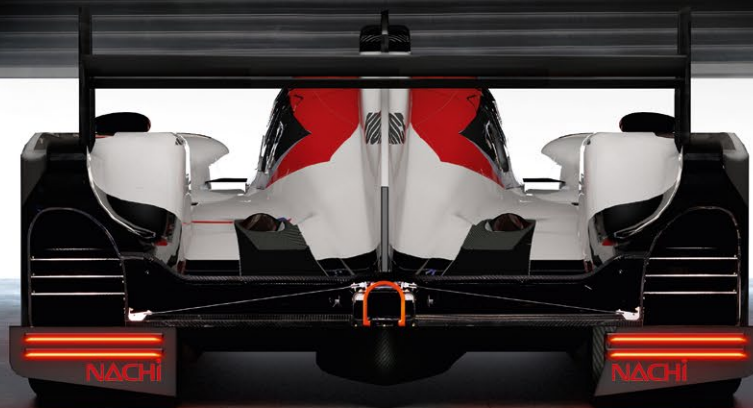
PULLERS SELF-CENTERING NP LINE				
Model	Capacity	Max. Reach mm	Max. Spread mm	Stroke mm
NP-4	4 ton	190	315	60
NP-6	6 ton	230	390	70
NP-8	8 ton	280	463	85
NP-12	12 ton	300	515	85
NP-20	20 ton	325	520	111
NP-30	30 ton	415	620	111



NACHI

NACHI EUROPE GmbH

OUR SYNERGY
YOUR PERFORMANCE



MADE IN JAPAN

NACHI-FUJIKOSHI CORP.

TOKYO

Shiodome Sumitomo Bldg., 1-9-2 Higashi-shinbashi, Minato-ku Tokyo, JAPAN
Phone: +81 3 5568-5240 | Fax: +81 3 5568-5236

TOYAMA

1-1-1 Fujikoshi-Honmachi, Toyama, JAPAN
Phone: +81 76 423-5111 | Fax: +81 76 493-5211

Web: www.nachi-fujikoshi.co.jp/

NACHI EUROPE GmbH

Bischofstr. 99 | DE-47809 Krefeld, Germany | Phone: +49 2151 650 46-0 | Fax: +49 2151 650 46-90 | Web: www.nachi.de | Email: info@nachi.de